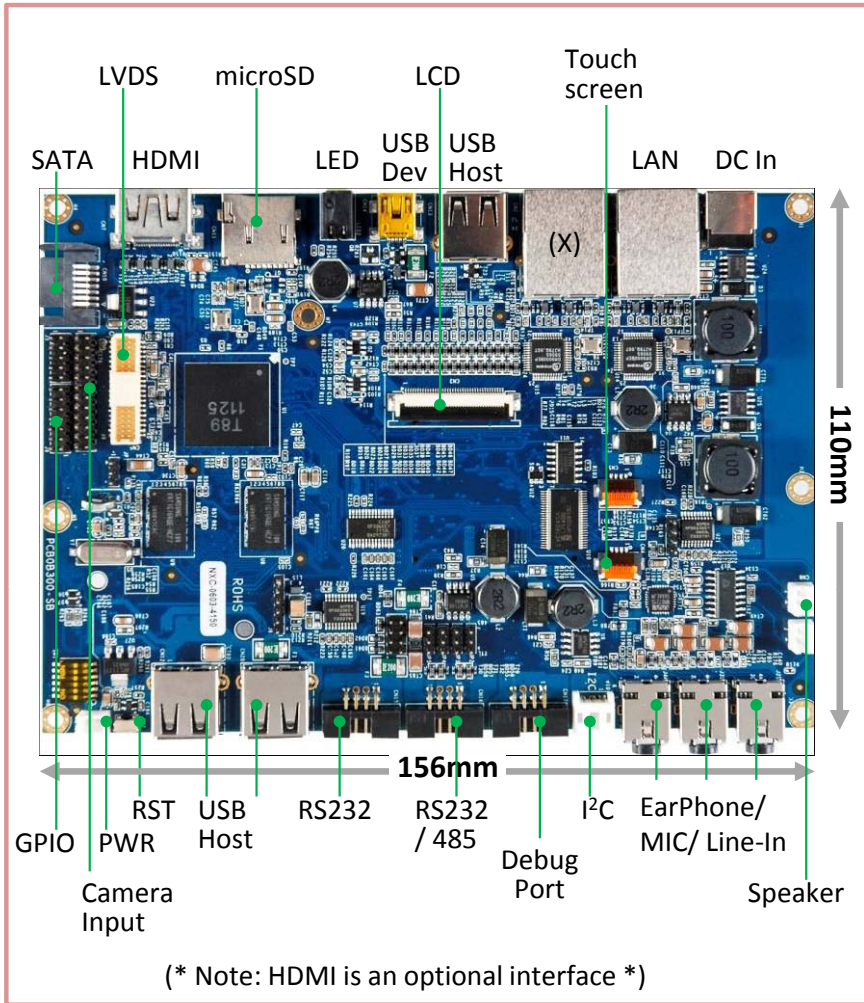


# SBC1400

700Mhz ARM11 SBC  
with 1080p video output



## Features

- On board ARM1176JZF processor at 700Mhz speed
- MPEG1/2/4/H.264 video decoder up to 1080p performance
- H.264 video encoder up to 720p performance
- Supports TTL, LVDS and HDMI display interfaces
- One 10/100Mbps Ethernet
- Supports USB2.0/1.1, SATA interface, Micro SD card storage interface
- RS232/RS485 interfaces
- Supported OS: Linux 2.6, WinCE 6.0, Android 2.3



## Specifications

<b>CPU</b>	ARM1176JZF @ 700Mhz 16KB / 16KB cache 16KB / 16KB TCM
<b>DDR2</b>	256MB DDR2 SDRAM
<b>Flash</b>	128MB-512MB NAND Flash
<b>Display interfaces</b>	1x 7" TFT LCD (up to 800x480) 1x LVDS (up to 1366x768) 1x HDMI 1.3 (up to 1920x1080)
<b>Video File Supported</b>	3GP, 3G2 (H.263) MPG, VOB, TS, TP (MPEG1/2) AVI, MP4 (MPEG4) AVI, MP4, MOV, MKV (H.264)
<b>I/O interfaces (Connectors)</b>	1x MicroSD card holder 1x RJ-45 connector 1x SATA connector 2x 4-wire touch screen connector 2x Expansion bus connector

<b>I/O interfaces (Pin headers)</b>	Connectors for speaker, MIC-in, Line-In and earphone 1x box header for camera input 1x box header for LVDS interface 3x (2x4 header) for debug port, RS232 port and RS232/RS485 port 1x box header for I <sup>2</sup> C slave port 1x USB2.0 host connector 1x USB2.0 device connector 2x USB1.1 host connector 1x box header for power/GPIO
<b>Network</b>	1x 10/100 Ethernet
<b>OS Supported</b>	Android 2.3 / Linux 2.6 / WinCE 6.0
<b>Power Input</b>	DC +12V @ 4A
<b>Dimension</b>	156mmx 110mm
<b>Weight</b>	Approx. 95 g
<b>Environment</b>	Operating temperatures: 0°C to 60°C

